



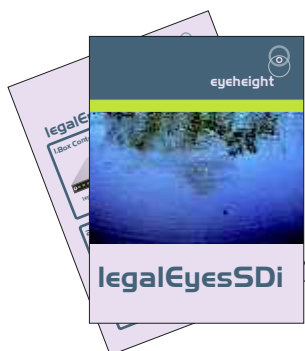
eyeheight

# legalEyesSDi/F quick start

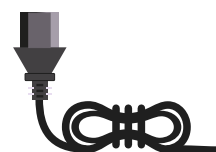
## I.Box Contents



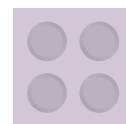
legalEyesSDi or SDiF



User Manual &  
Quickstart

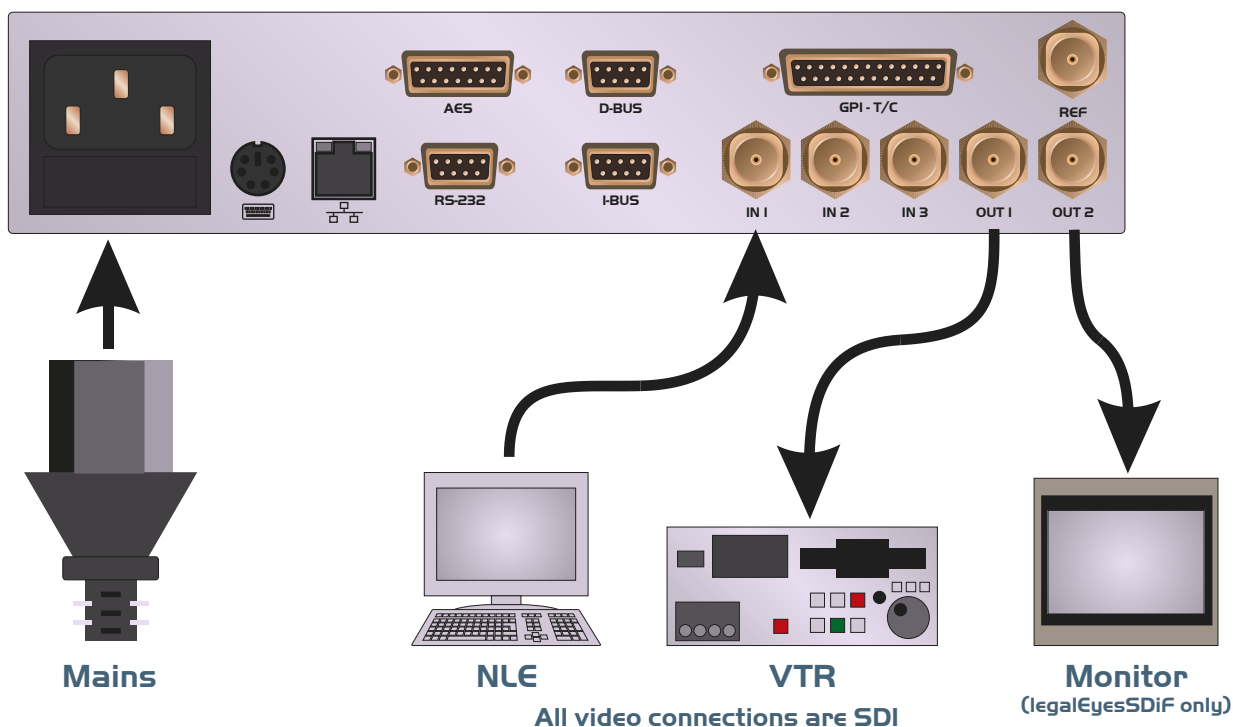


Power Cord



Feet

## 2. Typical Connections



# 3. Control Panel

## 1. Power/Status LED

Green - normal operation  
Orange - product is loading

## 2. Menu Display/Button (1 of 4)

Green menus adjust via push and digipot  
Yellow menus are information only  
Blue menus navigate the menu hierarchy  
Red menus have multiple variables, press the menu to "open" then adjust with digipots

## 3. Next Menu Button

Navigates between menu sets in a level of hierarchy

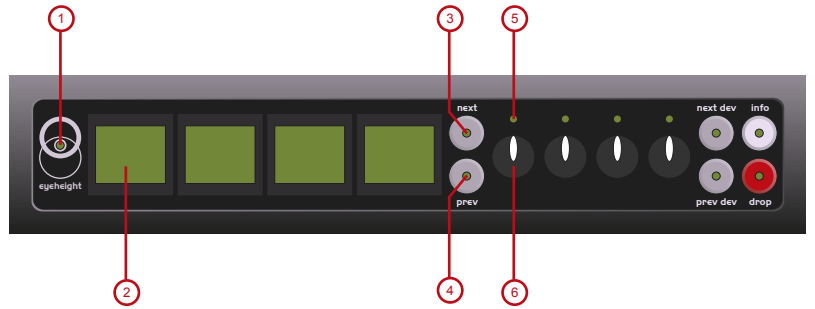
## 4. Previous Menu Button

Navigates between menu sets in a level of hierarchy

## 5. Digipot Active LED (1 of 4)

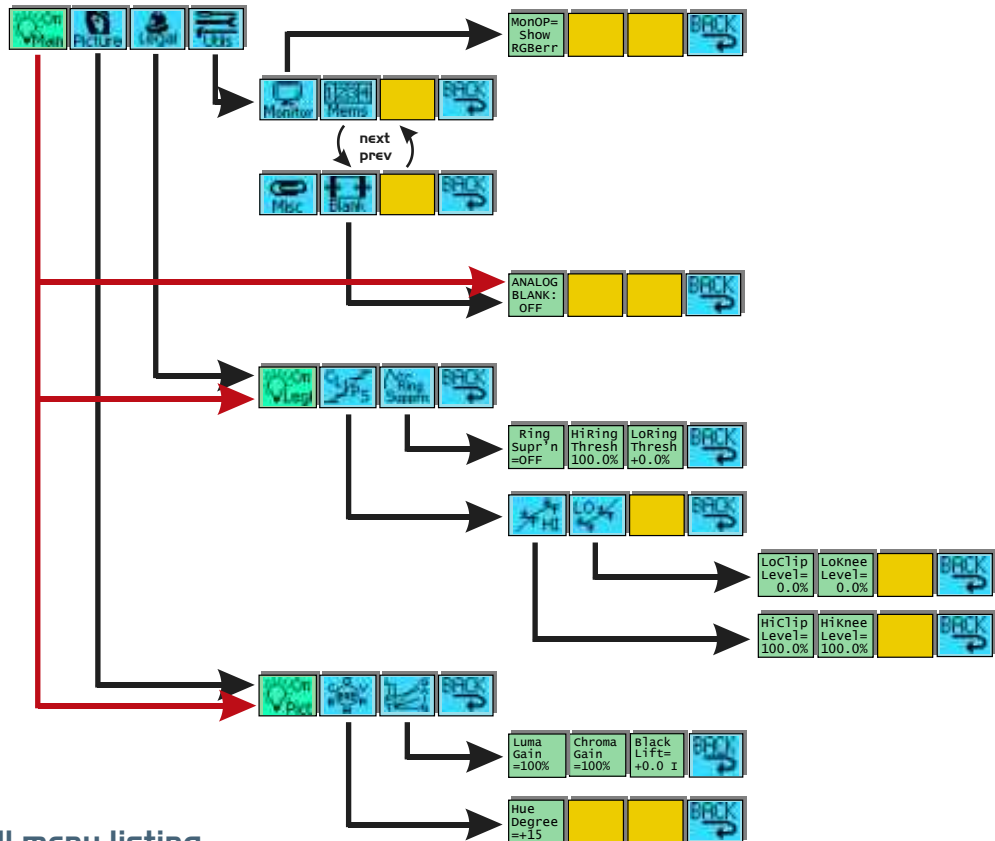
## 6. Digipot (1 of 4)

Adjusts associated menu variable



# 4. Main Menus

**Master Override:**  
Off => indicated menus Off  
On => indicated menus to previous state



See manual for full menu listing