



eyeheight

canalettoSDi quick start

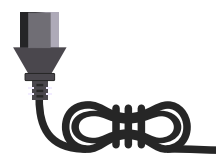
1. Box Contents



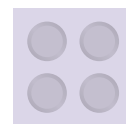
canalettoSDi



User Manual & Quickstart

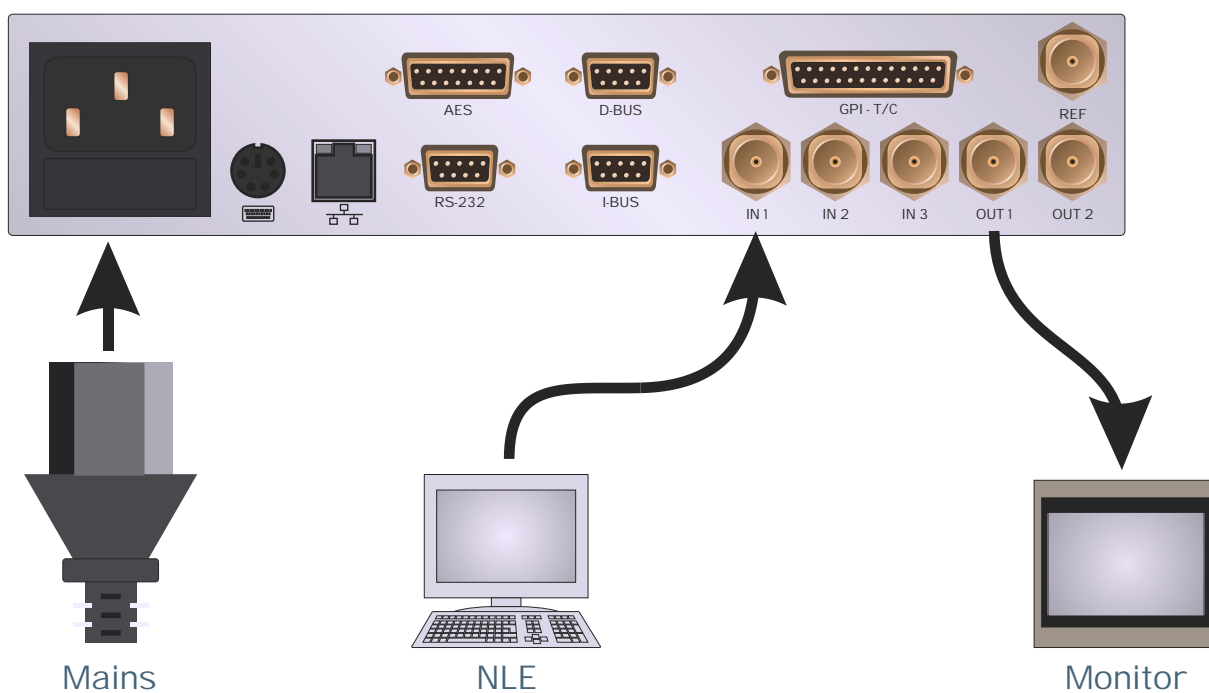


Power Cord



Feet

2. Typical Connections



All video connections are SDI

3. Control Panel

1. Power/Status LED

Green - normal operation
Orange - product is loading

2. Menu Display/Button (1 of 4)

Green menus adjust via push and digipot
Yellow menus are information only
Blue menus navigate the menu hierarchy
Red menus have multiple variables, press the menu to "open" then adjust with digipots

3. Next Menu Button

Navigates between menu sets in a level of hierarchy

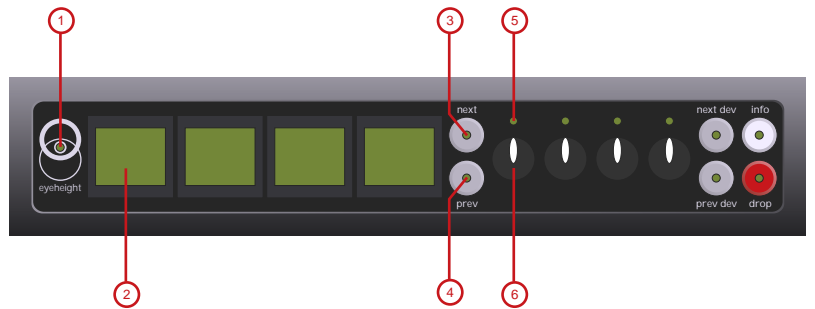
4. Previous Menu Button

Navigates between menu sets in a level of hierarchy

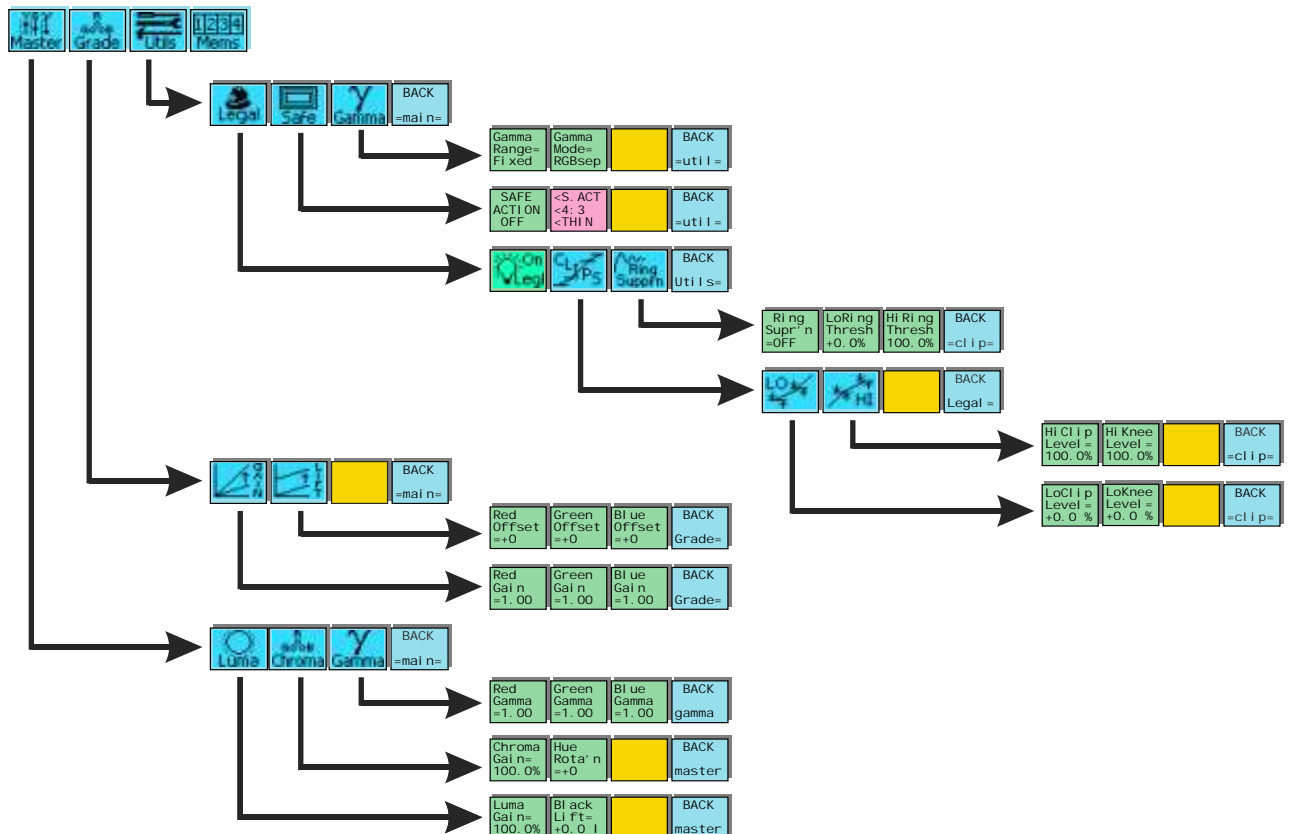
5. Digipot Active LED (1 of 4)

6. Digipot (1 of 4)

Adjusts associated menu variable



4. Main Menus



See manual for full menu listing