



CC-2



Multi-rate colour correction module

eyeheight

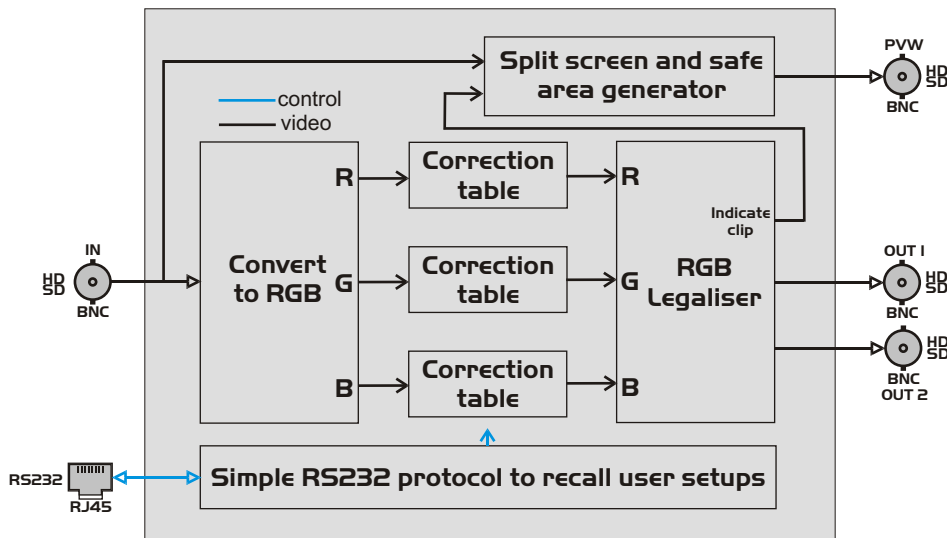
02/11

Overview

This unit is a simple cost effective colour correction system which will give individual control of R,G and B Gains, Lifts and gamma. The system also inherently legalises the signal enabling the user to make full use of the colour correction without fear of the resulting picture being rejected by broadcasters.

In addition to the standard features the system also includes an integrated safe area generator and split screen showing processed and unprocessed picture. An indication of crushed (over limit) areas can also be displayed. Multiple colour correction channels can be networked to multiple panels enabling very flexible installation options.

Block diagram detail



Control panel



The control panel is very simple to use and can switch between up to 16 colour correction channels. The panel is 1RU and can be remotely sited or fit on the front of an FB-9E chassis. Connection to the chassis uses standard CAT5 ethernet cabling.



CC-2



Multi-rate colour correction module

eyeheight

Key features

Description

- Multirate colour correction system with operational control panel

Features

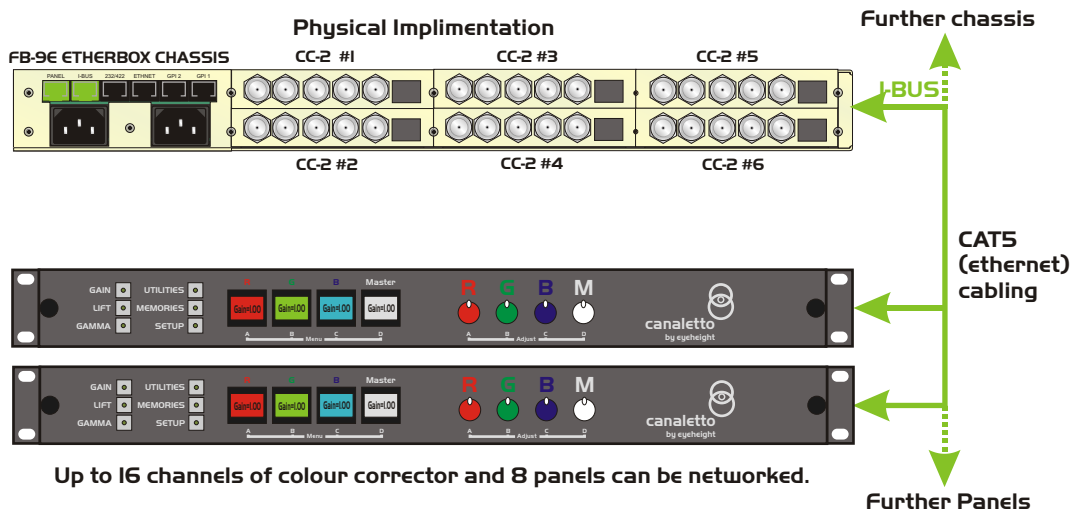
- Full 10 Bit Processing throughout. (16 bit internal).
- Simple individual control of RGB and master Gain and Lift.
- Selectable master or individual RGB gamma control with overall luma, chroma gain, hue rotation and black level adjustment.
- Gamut legalisation as standard with EBU R103-2000 setup mode. User adjustable legalisation parameters are also provided (Equivalent to a full eyeheight RGB legaliser with overshoot suppression).
- Preview output shows split screen of processed and unprocessed picture as well as clipped (crushed) areas and includes a safe area generator.
- 6 User memories.
- Firmware and software fully updatable by file upload.*
- Mechanical relay bypass option available.
- Optional web based java soft panel and specific "web app" available.*

Formats

- 1080i/50/59.94, 1080p 23.976/24/25/29.97, 720p/50/59.94, 625/50, 525/59.94

*Not available on MX-9 chassis

System implimentation





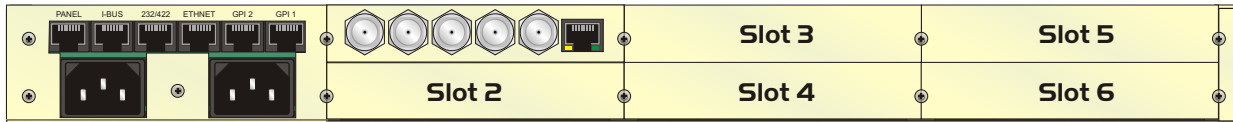
CC-2



Multi-rate colour correction module

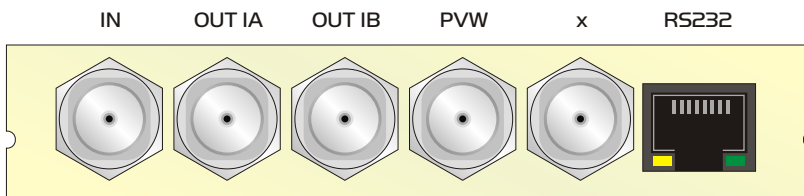
eyeheight

Chassis view



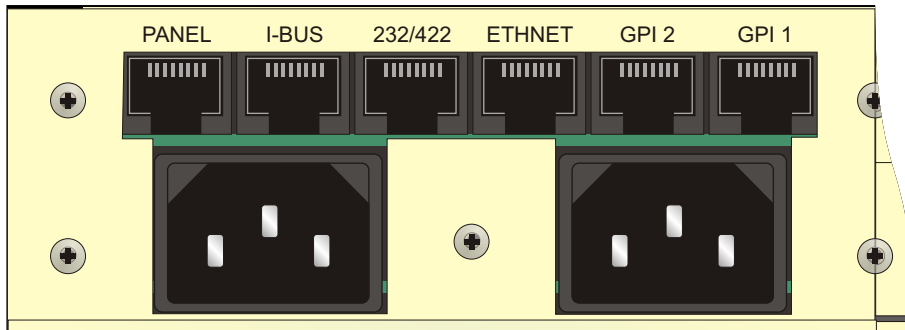
The CC-2 is plug in module for the etherbox FB-9E 1RU chassis. The basic unit takes ONE slot enabling a density of 6 units per 1RU.

Module connections



- 1xMain input
- 2xMain colour corrector outputs.
- 1x preview (split screen) output.
- 1x RS232 to recall presets

Chassis connections



The card connections are supplemented by the FB-9E chassis connections which provides GPI inputs and outputs, an Ethernet connection which can be used for browser based chassis monitoring and optional Java control applications and an RS-232/422 automation interface.(Not available on the MX-9 chassis)



CC-2



Multi-rate colour correction module

eyeheight

Ordering information

The CC-2C is operated by an FP-9C colour corrector control panel (Please note that it cannot be operated by a normal FP-9). This module is also available in **genetics** mode as a CC-2 which can be controlled by the FP-9 generic control panel (But not the FP-9C) . An SD only version as well as a multi rate version (SD and HD) are also available.

Order code format (Module): CC-2cX-R-J

c If the unit will be operated by an FP-9C colour corrector panel. (Leave blank if an FP-9 is to be used)

X should be S for SD only version or M for multirate (SD and HD) version

R optional mechanical relay bypass from input to output A. (Leave blank for no relay bypass).

J optional Java web soft panel control license. (ONLY available for CC-2 NOT for CC-2C)

For example:

CC-2c-M is a CC-2 module for use with an FP-9C control panel. The unit is Multirate.

Order code format (Colour panel): FP-9C