



DK-2



Multi-rate video keyer module

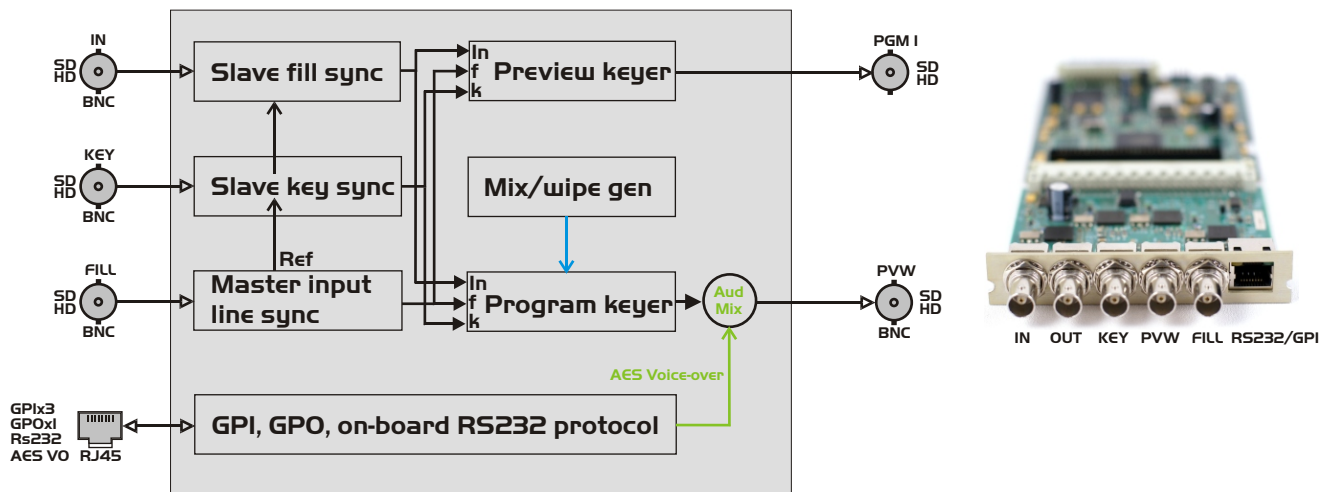
eyeheight

02/11

Overview

The DK-2 is a Multirate (SD/HD) video keyer incorporating also a single AES Voice-over channel which mixes into the embedded audio stream. The system is one of our **playout** range of products integrating seamlessly with our manual control panels and established PresTX automation protocol. It can alternatively operate in **vista** mode with

Block diagram detail



Key features

Description

- Luminance keyer with separate key and fill inputs.
- Single AES audio voice-over facility.

Features

- 1 Line synchronisation window between input key and fill.
- 10 bit keying, mix and wipe transitions.
- Multiply and additive keying modes.
- User definable garbage rectangular mask.
- Auto transitions and manual T-bar control using VP-10 in vista or playout configuration.
- Transparent to embedded audio and other ancillary data.
- 6 cards per 1RU in genetics or **vista** configuration.
- On-board RJ45 with 3xGPI, 1xTally, RS232 for simple text based "on-board" protocol control.
- Compatible with **playout**, eyeheight's channel orientated channel playout system.
- Mechanical relay bypass option available.
- Firmware and software fully updatable by file upload*
- Optional web based java soft panel and specific "web app" available.*

Formats

- 1080i/50/59.94
- 1080p 23.976/24/25/29.97
- 720p/50/59.94
- 625/50
- 525/59.94

*Not available on the MX-9 chassis



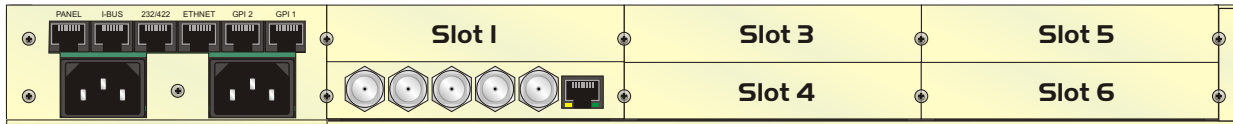
DK-2



Multi-rate video keyer module

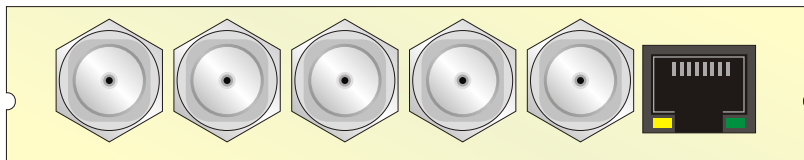
eyeheight

Chassis view



The DK-2 is plug in module for the etherbox FB-9E 1RU chassis. The basic unit takes ONE slot enabling a density of 6 units per 1RU.

Module connections



INI

PGMI

FILL

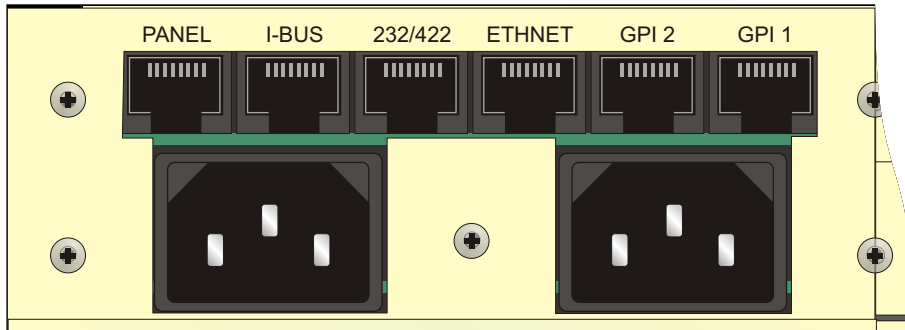
PVW

KEY

RS232
GPIO
TC
AES VO

- 1 x SDI background input
- 1 x SDI fill input
- 1 x SDI key input
- 1 x SDI Program outputs
- 1 x SDI Preview output
- 2 x GPI (Take key on/off)
- 1 x GPO (key on-air state)
- 1 x RS232 Automation port
- 1 x AES Voice-over input

Chassis connections



The card connections are supplemented by the FB-9E chassis connections which provides GPI inputs and outputs, an Ethernet connection which can be used for browser based chassis monitoring and optional Java control applications and an RS-232/422 automation interface. (Not available on the MX-9 chassis)



DK-2



Multi-rate video keyer module

eyeheight

Ordering information

The DK-2 is one of our **playout** family of modules which can operated in a multi channel orientated system with automation and manual intervention panels. This module is also available in **genetics** mode as a generic module and **vista** which has T-Bar manual control. For more information please refer to www.eyeheight.com/playout_family_intro.asp.

Order code format: DK-2(Vo)X-Y-R-J

(Vo) Incorporates Voice-over functionality.

X should be S for standard definition (SD) or M for Multi-rate (SD and HD)

Y should be P for **playout** or G for **genetics** or V for **vista** operational mode.

R optional mechanical relay bypass. (Leave blank for no option).

J optional Java web soft panel control license. (Leave blank for no option).

For example:

DK-2M-G-R is a multi-rate DK-2 module with mechanical relay bypass fitted and configured for a **genetics** system.