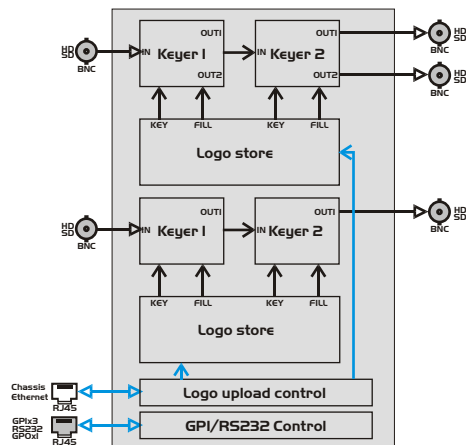


## Overview

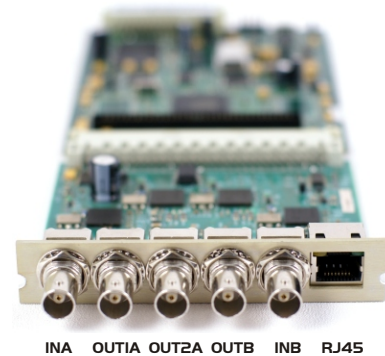
The LI-2 is a dual channel logo inserter, each channel capable of displaying two logo layers. Both channels are fully independent and each can operate in HD or SD modes. Logo capture is performed with eyeheight's ethernet based NetLogo software package. Logos are stored securely in on-board non-volatile flash memory. New logo's can be downloaded to the unit while the current logo is on-air providing a seamless change. Up to 15 logo's can be stored within each independent channel layer. The system is one of our **playout** range of products integrating seamlessly with our manual control panels and established PresTX automation protocol. It can alternatively operate in **genetics** stand alone mode.

This system enables up to 12 mixed resolution channels of logo insertion in a 1RU etherBox chassis with redundant Power supply.

## Block diagram detail



## LI-2 module



## Key features

### Description

- Dual independent channels, each channel with dual layer and animation.

### Key features

- Auto-sensing HD-SDI and SD-SDI on each channel.
- Animation on each layer limited by a total of 18Mbyte memory (9 Mbyte per channel)
- Each channel independent from each other allowing mixed HD/SD operation on one card.
- Logo upload, monitoring and control over Ethernet TCP/IP.
- NL-7, NetLogo management software to download and prepare logo's in Targa format.
- RS232 automation control port on each card with 3 configurable GPI ports and 1 tally port
- Logo list can be a mixed HD/SD set of logos in each channel.
- Mechanical Relay Bypass available.
- Compatible with playout, eyeheight's channel orientated channel playout system.
- Firmware and software fully updatable by file upload\*
- Optional web based java soft panel and specific "web app" available\*

### Formats

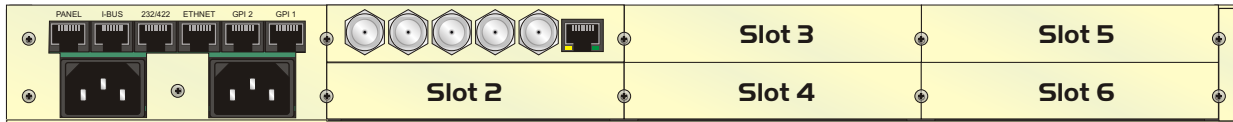
- 1080i/50/59.94
- 1080p 23.976/24/25/29.97
- 720p/50/59.84
- 625/50
- 525/59.94

\*Not available on the MX-9 chassis

# Multi-rate dual channel, dual layer logo inserter module with animation

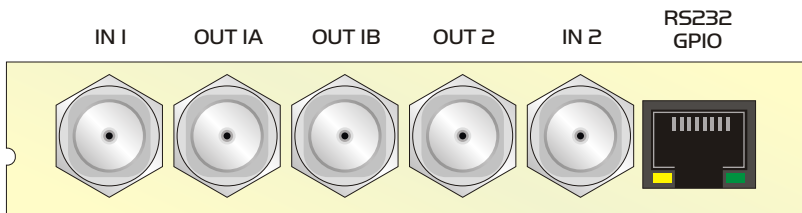
eyeheight

## Chassis view



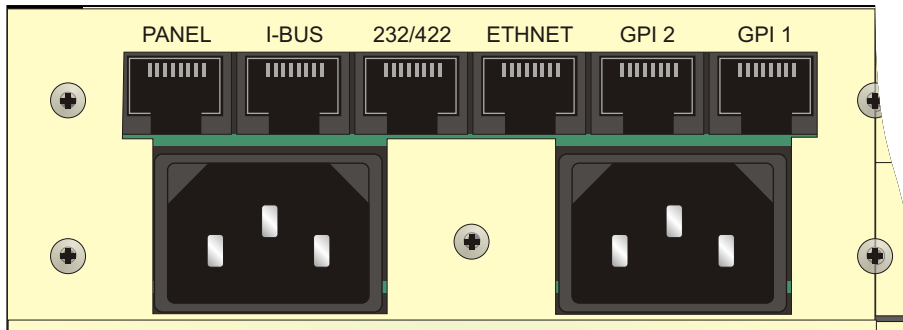
The LI-2 is plug in module for the etherbox FB-9E 1RU chassis. The basic unit takes ONE slot enabling a density of 6 units per 1RU.

## Module connections



- 1 x SDI channel 1 input
- 1 x SDI channel 2 input
- 2 x SDI channel 1 output
- 1 x SDI channel 2 output
- 1 x RS232 automation port
- 3 x GPI configurable
- 1 x GPO configurable

## Chassis connections



The card connections are supplemented by the FB-9E chassis connections which provides GPI inputs and outputs, an Ethernet connection which can be used for browser based chassis monitoring and optional Java control applications and an RS-232/422 automation interface. (Not available on the MX-9 chassis)



# Multi-rate dual channel, dual layer logo inserter module with animation

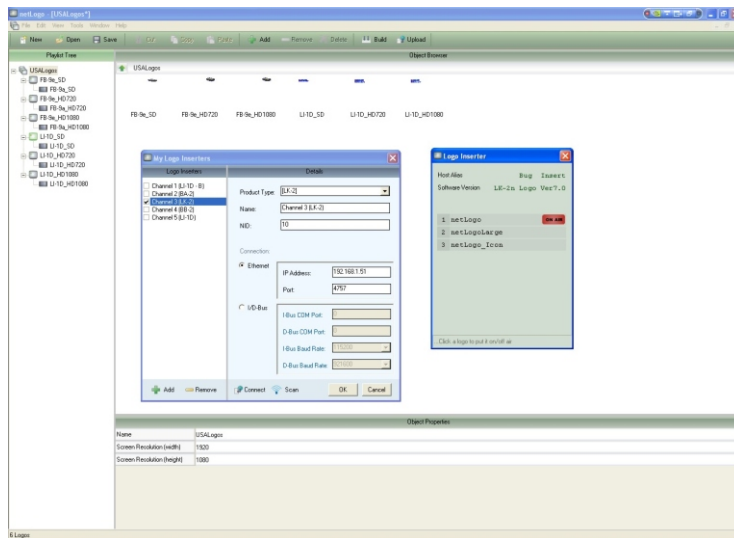
eyeheight

## Netlogo, logo management software

netLogo (NL-7) is the eyeheight logo management and control software. It provides an easy and intuitive way to load, manage and control logo insertion systems from a single card to hundreds of channels from a single management station.

Tight integration with the new etherBox (FB-9E) chassis and the full range of eyeheight logo inserter cards, including the dual channel multi-definition LI-2, enable a virtual limitless channels to be networked via standard

## Netlogo screenshot



## Ordering information

The LI-2 is one of our **playout** family of modules. which can operated in a multi channel orientated system with automation and manual intervention panels. This module is also available in **genetics** mode as a generic module For more information please refer to [www.eyeheight.com/playout\\_family\\_intro.asp](http://www.eyeheight.com/playout_family_intro.asp).

## Order code format: LI-2-X-Y-(R)-(J)

- X should be S for SD only version or M for multirate (SD and HD) version
- Y should be P for playout operational mode or G for genetics operational mode.
- (R) optional mechanical relay bypass for both channels. (Leave blank for no relay bypass).
- (J) optional Java web soft panel control license. (Leave blank for no option).

For example:

LI-2-R-M-P is a LI-2 module for multirate operation and configured for a **playout** system. There is also mechanical relay bypass or Java web apps.

