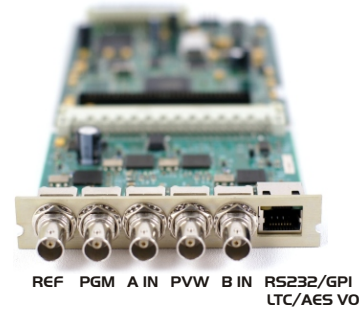
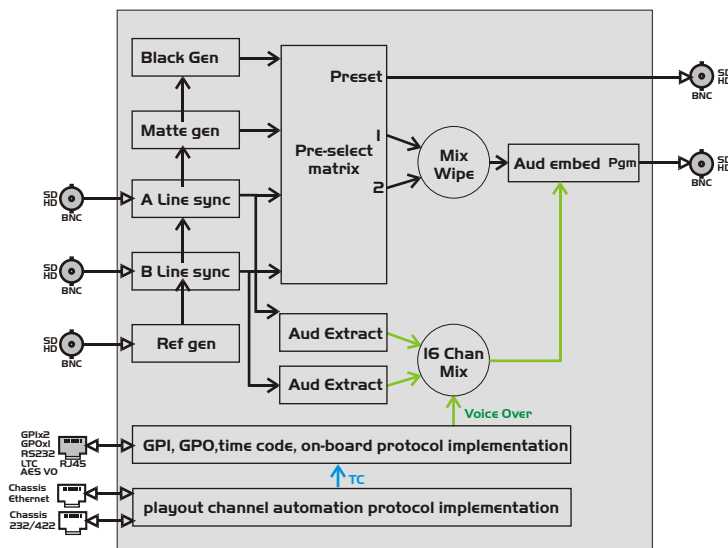




### Overview

The MW-2E is an A/B Multirate (SD/HD) video A/B mixer with 16 channel embedded audio mixing. The MW-2E also has a single AES input for Voice-Over applications on the embedded audio stream. The system one of our **playout** range of products integrating seamlessly with our manual control panels and established PresTX

### Block diagram detail



### Key features

#### Description

- Mixing of two synchronous SDI video sources relative to an SDI reference.
- Simultaneous mixing of all 16 channels of embedded audio.
- Single AES Voice-over channel.

#### Features

- 1 Line A and B synchronisation window.
- 10 bit A/B mixer with mix, wipe, V-fade and U-fade transitions. 20/24 bit audio mixes follow video.
- Auto transitions and manual T-bar control using VP-10 in **vista** or **playout** configuration.
- Internal matte and black generator.
- 6 cards per 1RU in **genetics** or **vista** configuration.
- Audio channels can be selectively spliced enabling dolby E audio cut compatibility.
- On-board RJ45 with 2xGPI, 1xTally, RS232 for simple text based "on-board" protocol control.
- Firmware and software fully updatable by file upload\*
- Mechanical relay bypass option available.
- Optional web based java soft panel and specific "web app" available.\*
- Compatible with **playout**, eyeheight's channel orientated channel playout system.

#### Formats

- 1080i/50/59.94
- 1080p 23.976/24/25/29.97
- 720p/50/59.94
- 625/50
- 525/59.94

\*Not available with MX-9 chassis



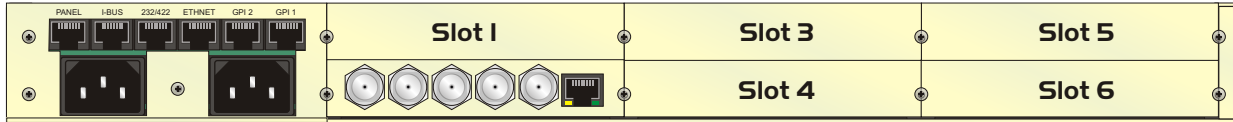
# MW-2E



## Multi-rate video and audio A/B mixer module

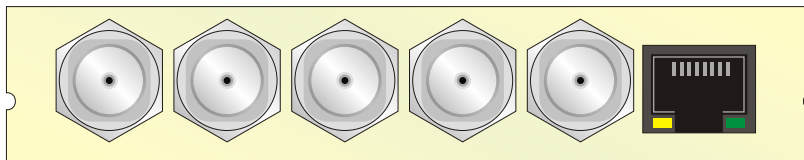
## eyeheight

### Chassis view



The MW-2E is plug in module for the etherbox FB-9E 1RU chassis. The unit takes TWO slots enabling a density of 6 units per 1RU.

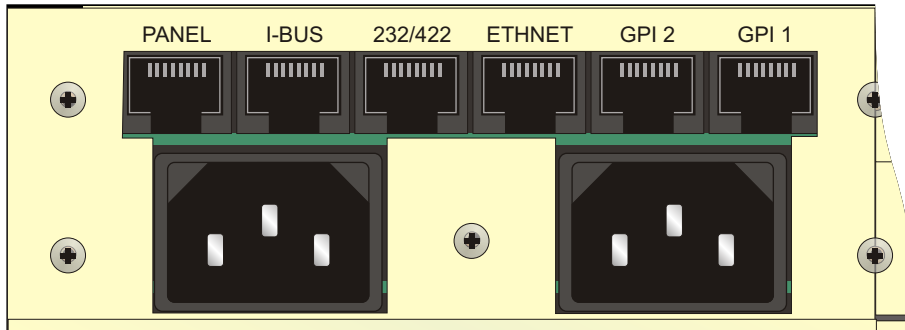
### Module connections



REF      PGM      A IN      PVW      B IN      RS232  
GPIO  
TC

- 1 x SDI A input
- 1 x SDI B input
- 1 x SDI Reference
- 1 x SDI Program outputs
- 1 x SDI Preview output
- 2 x GPI (A/B take) or Voice-over (jumpers)
- 1 x GPO (A/B state)
- 1 x RS232 Automation port
- 1 x LTC for deferred playout automation commands or Voice-over (jumpers)

### Chassis connections



The card connections are supplemented by the FB-9E chassis connections which provides GPI inputs and outputs, an Ethernet connection which can be used for browser based chassis monitoring and optional Java control applications and an RS-232/422 automation interface. (Not available on the MX-9 chassis)



# MW-2E



Multi-rate video and audio A/B mixer module

eyeheight

## Ordering information

The MW-2 is one of our **playout** family of modules, which can operated in a multi channel orientated system with automation and manual intervention panels. This module is also available in **genetics** mode as a generic module and **vista** which has T-Bar manual control. For more information please refer to [www.eyeheight.com/playout\\_family\\_intro.asp](http://www.eyeheight.com/playout_family_intro.asp). This module has optional 16 channel audio mixing.

Order code format:      MW-2(E) (Vo) X-Y-J

(E) optional 16 channel audio mixing (Leave blank for no audio mixing)

(Vo) optional single AES input voice-over on embedded audio channel

X is S for standard definition or M for multi-rate version.

Y should be P for **playout** operational mode or G for **genetics** and V for **vista** operational mode.

J optional Java web soft panel control license. (Leave blank for no option).

For example:

MW-2ME-V is a multi-rate MW-2 module with 16 channel audio mixing and configured for a **vista** system. No java panel.